



# VS COR Fold



**Cabinet dimensions**

	K800	K900	K1000
<b>B</b>	min. 800	min. 900	min. 1000
<b>T</b>	min. 400	min. 450	min. 500
<b>W</b>	$\geq 361$	$\geq 411$	$\geq 461$

**Cabinet dimensions**

External width min: 800 - 1200 mm  
 Door width min: 400 mm  
 Internal height min: 530 mm

**Specifications**

Fittings: full extension with damping

**Load capacity of baskets**

Front baskets: 8 kg  
 Rear baskets: 9,5 kg

**Baskets**

Chrome, RAL 9006 silver clear coat, RAL 9010 white

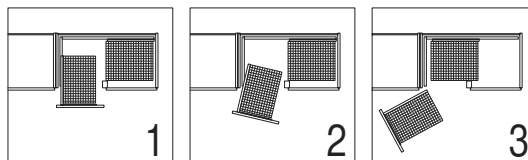
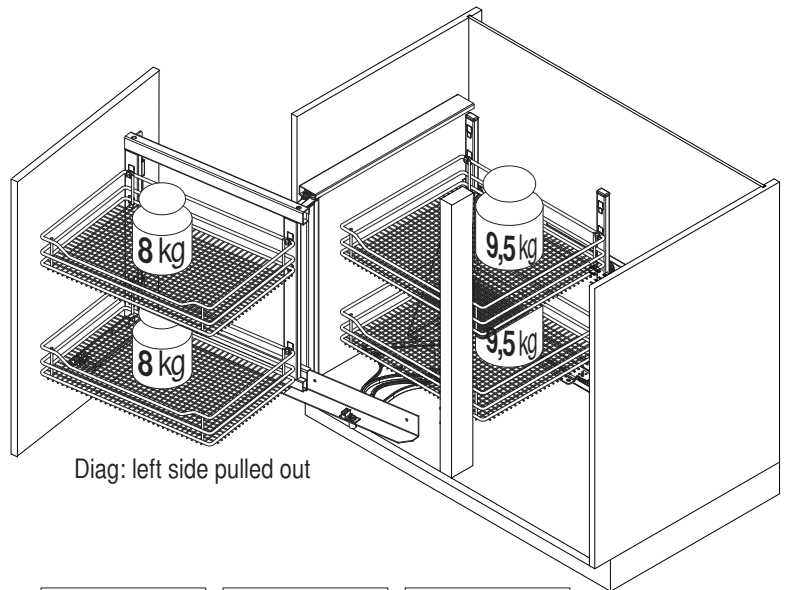
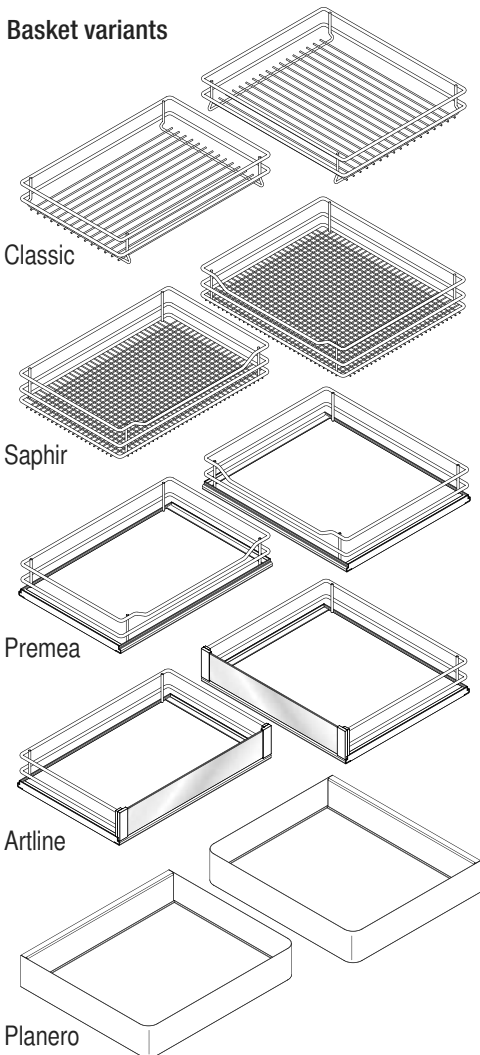
**Basket dimensions (Front baskets)**

Cabinet	basket width			basket depth			basket height	
	800	900	1000	800	900	1000	Classic Saphir	Premea Artline, Planero
	450	450	450	230	305	350	75	84

**Basket dimensions (Rear baskets)**

Cabinet	basket width			basket depth			basket height	
	800	900	1000	800	900	1000	Classic Saphir	Premea Artline, Planero
	330	430	470	370	370	370	75	84

**Basket variants**

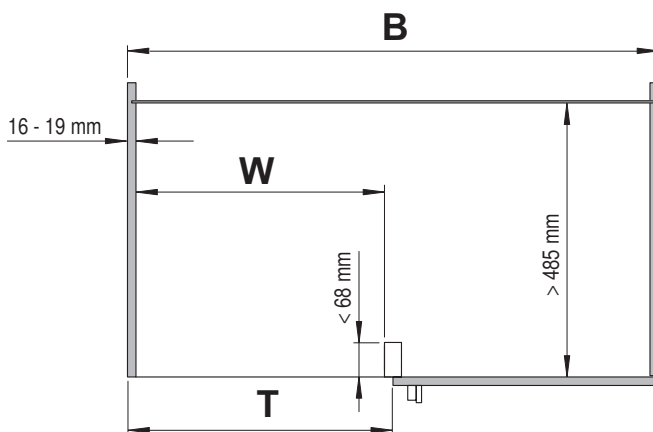
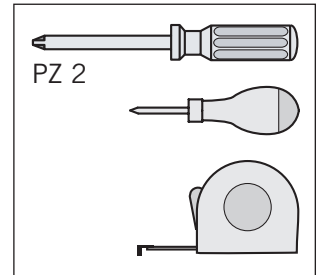
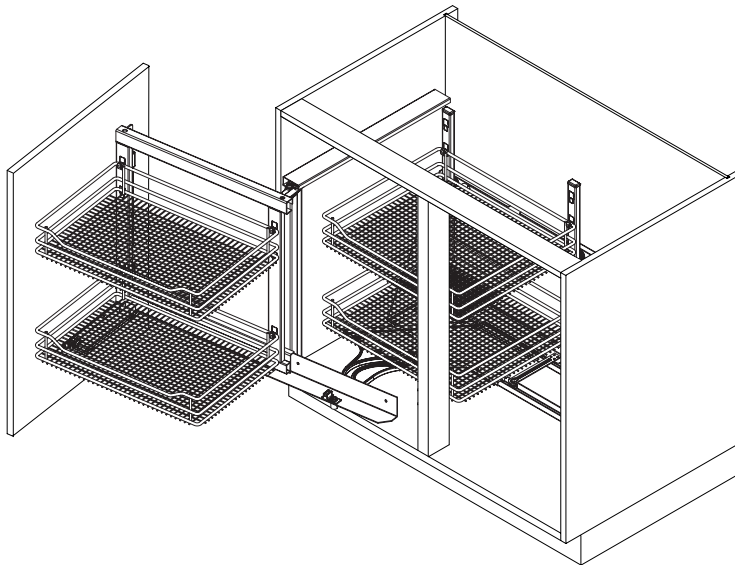


pull-out movement

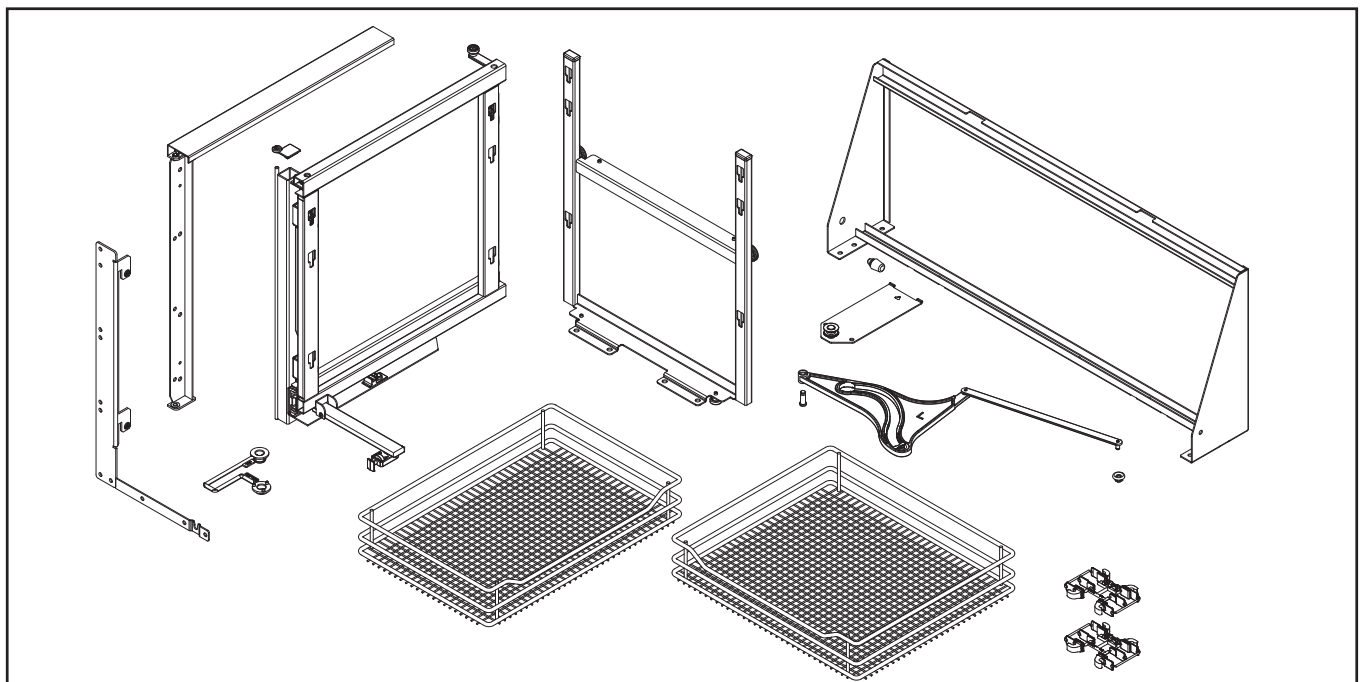
06 / 2017

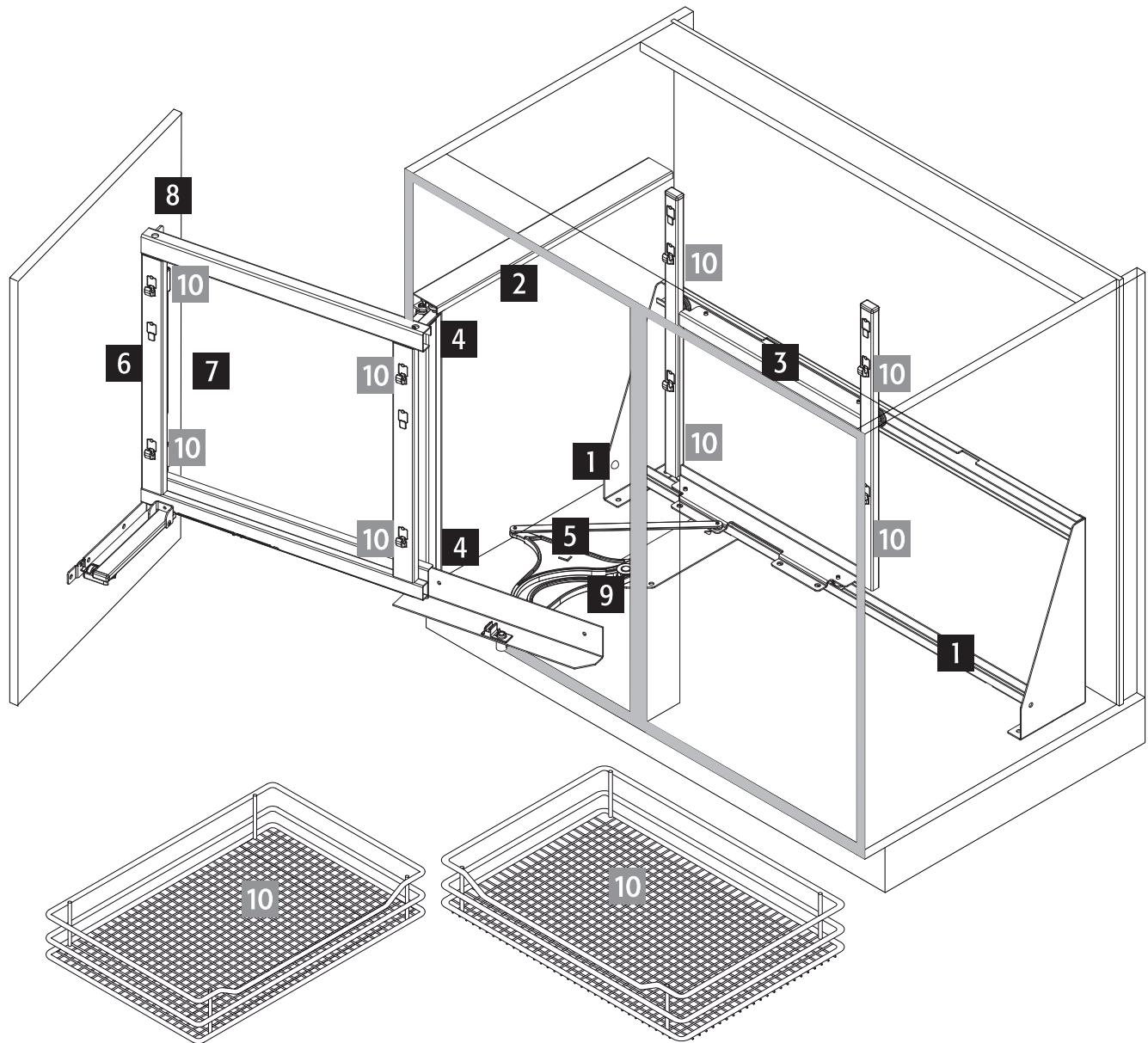
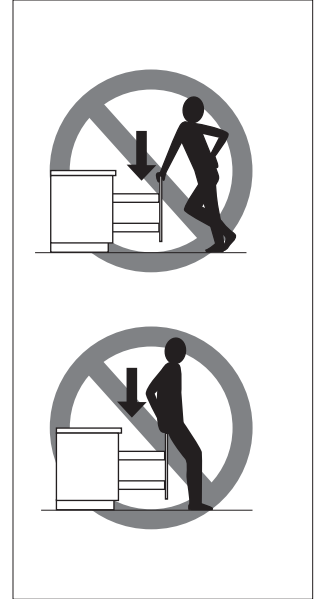
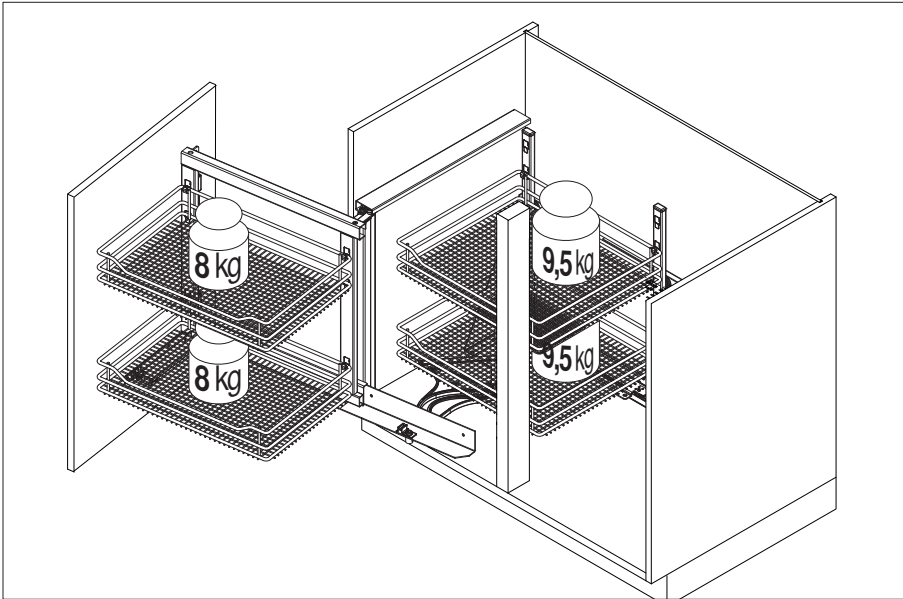


# VS COR Fold L



	K800	K900	K1000
<b>B</b>	min. 800	min. 900	min. 1000
<b>T</b>	min. 400	min. 450	min. 500
<b>W</b>	$\geq 361$	$\geq 411$	$\geq 461$

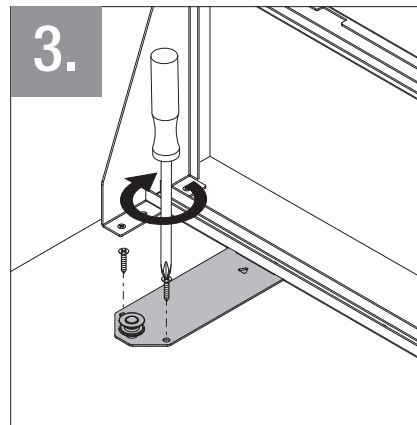
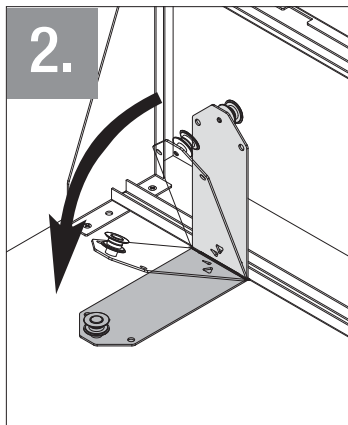
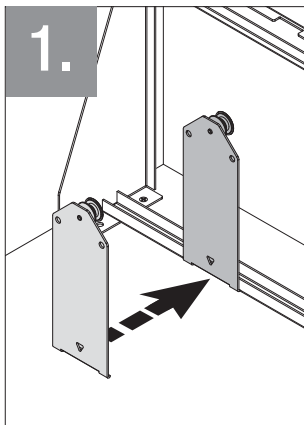
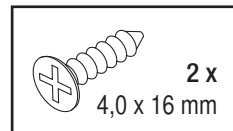
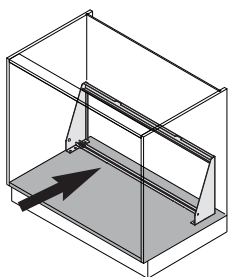
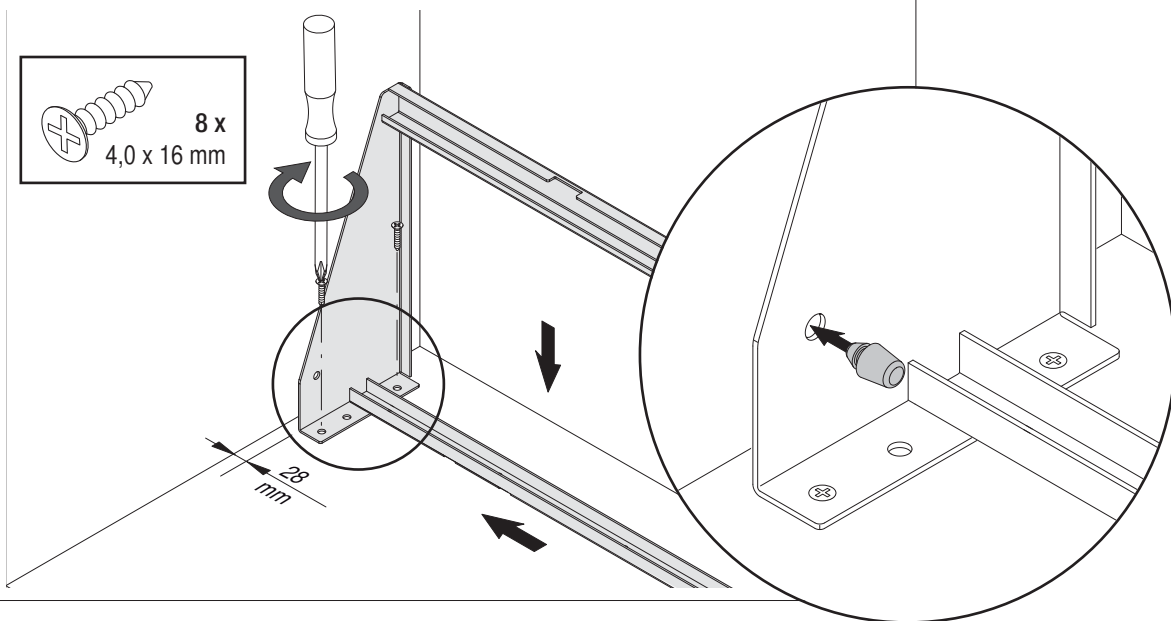
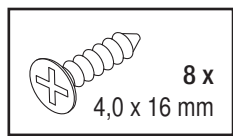
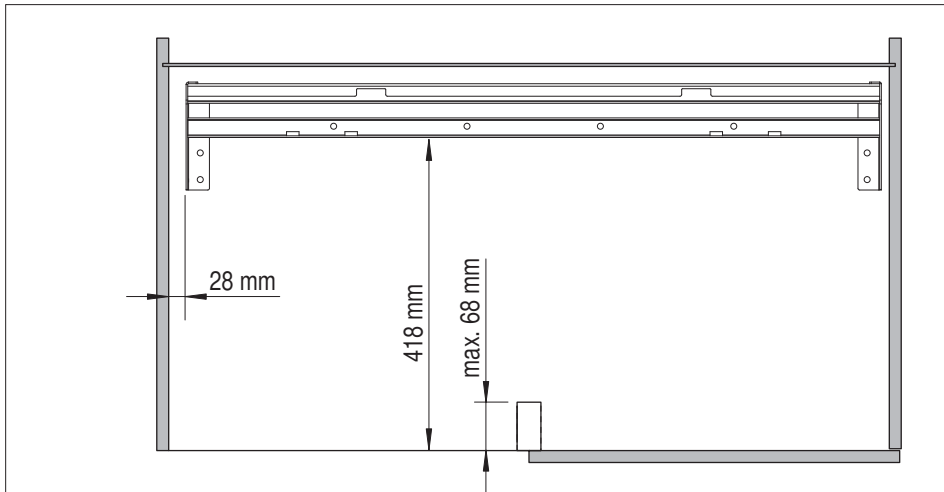




**1**



**A**

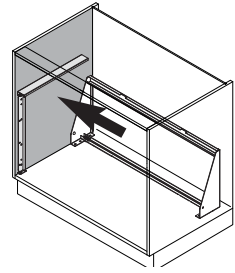
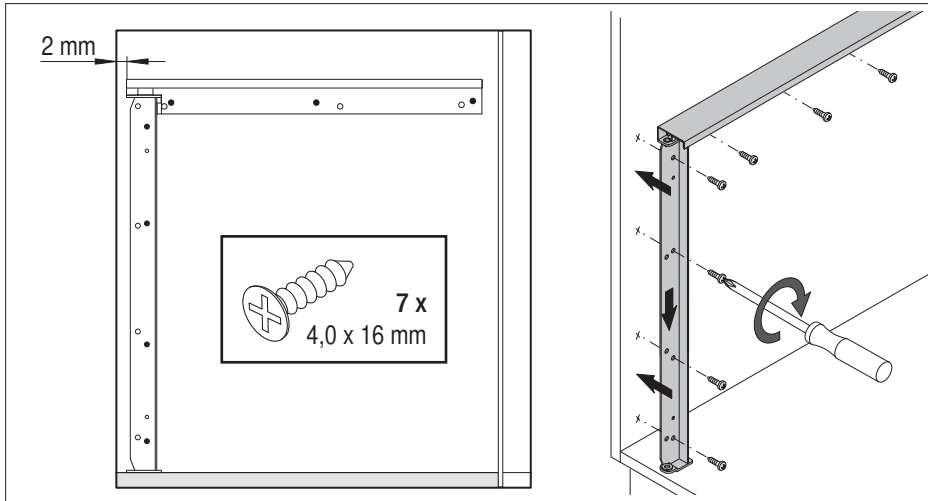




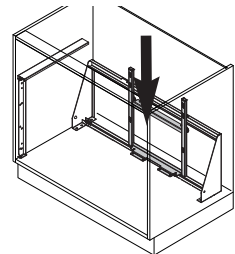
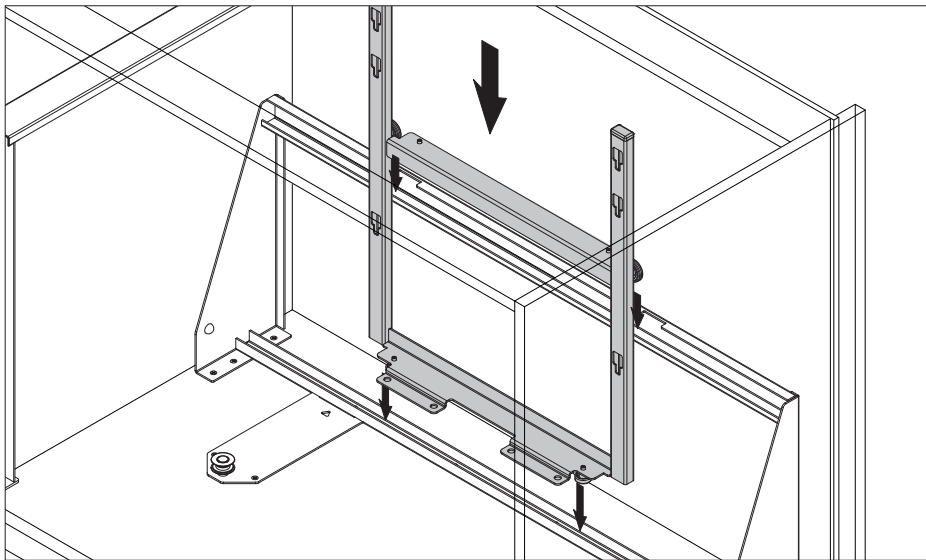
2



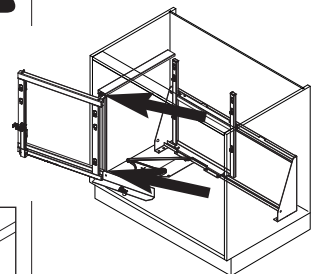
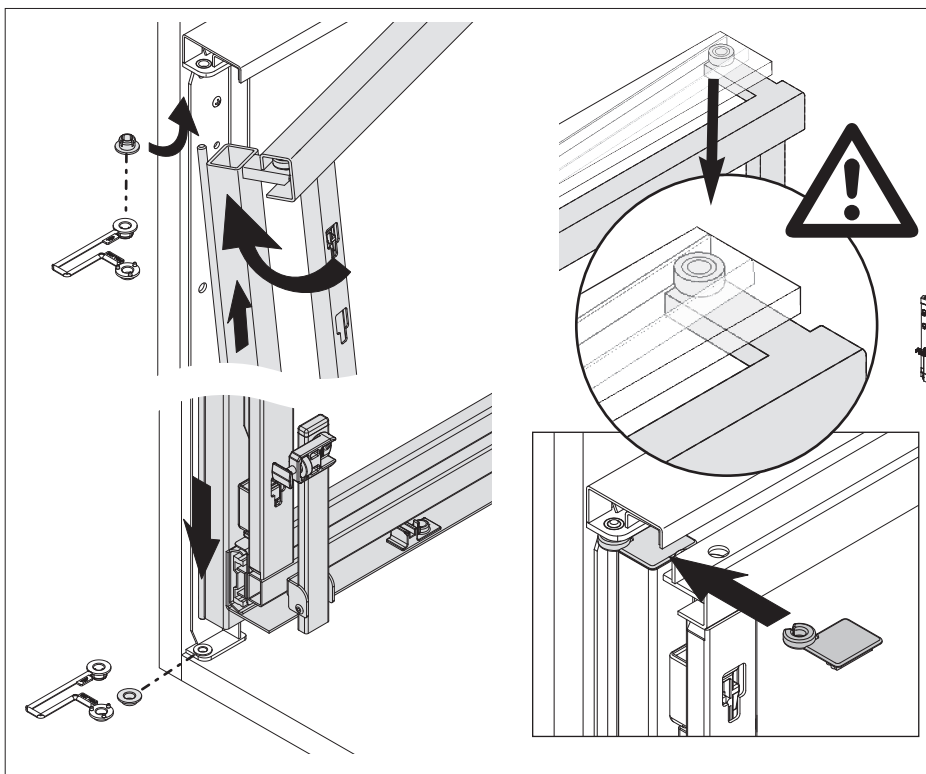
B



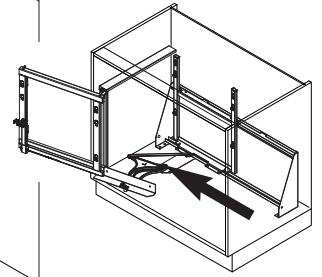
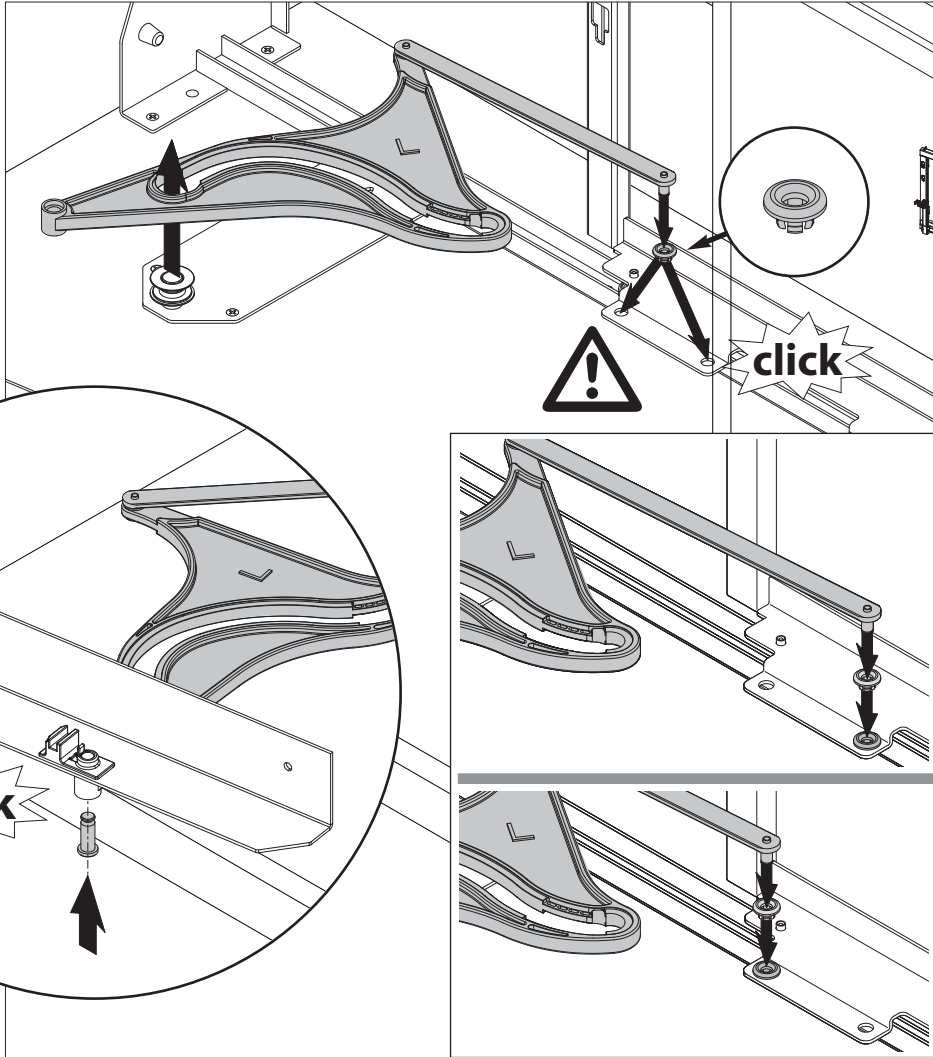
3



4



5



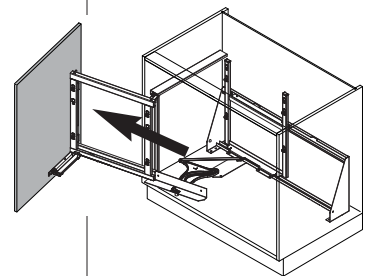
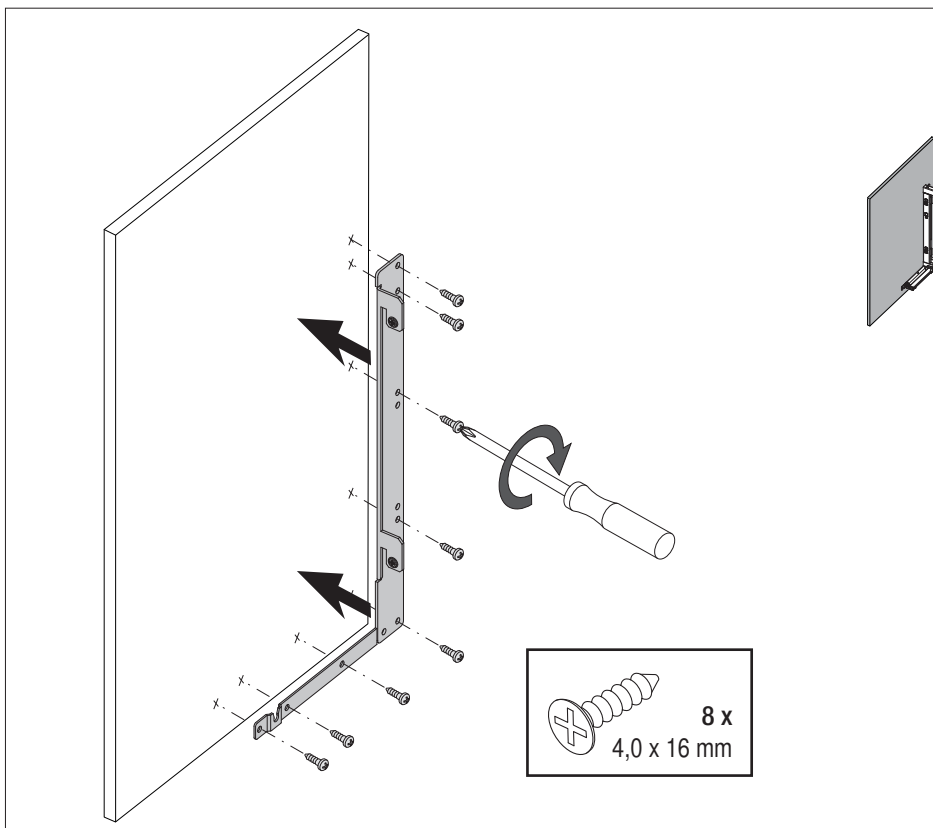
K 800  
K 900

K 1000

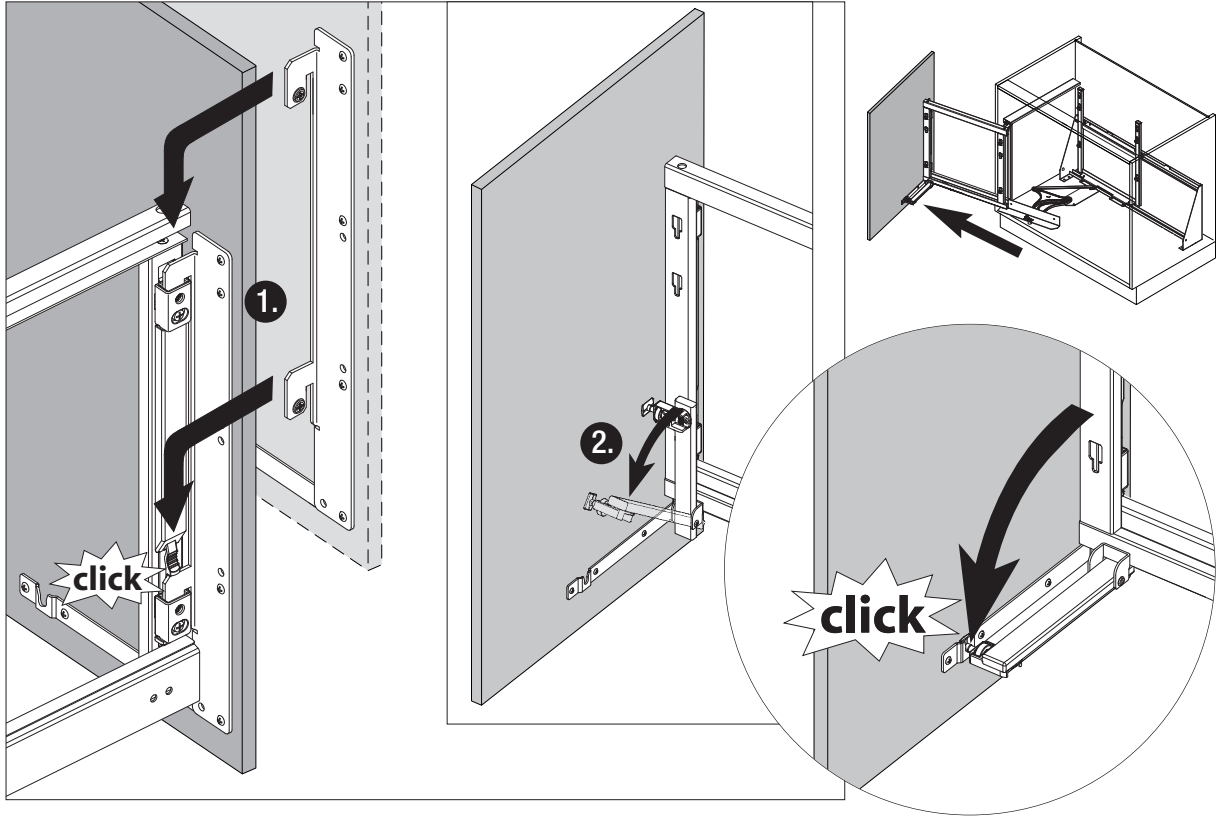
6



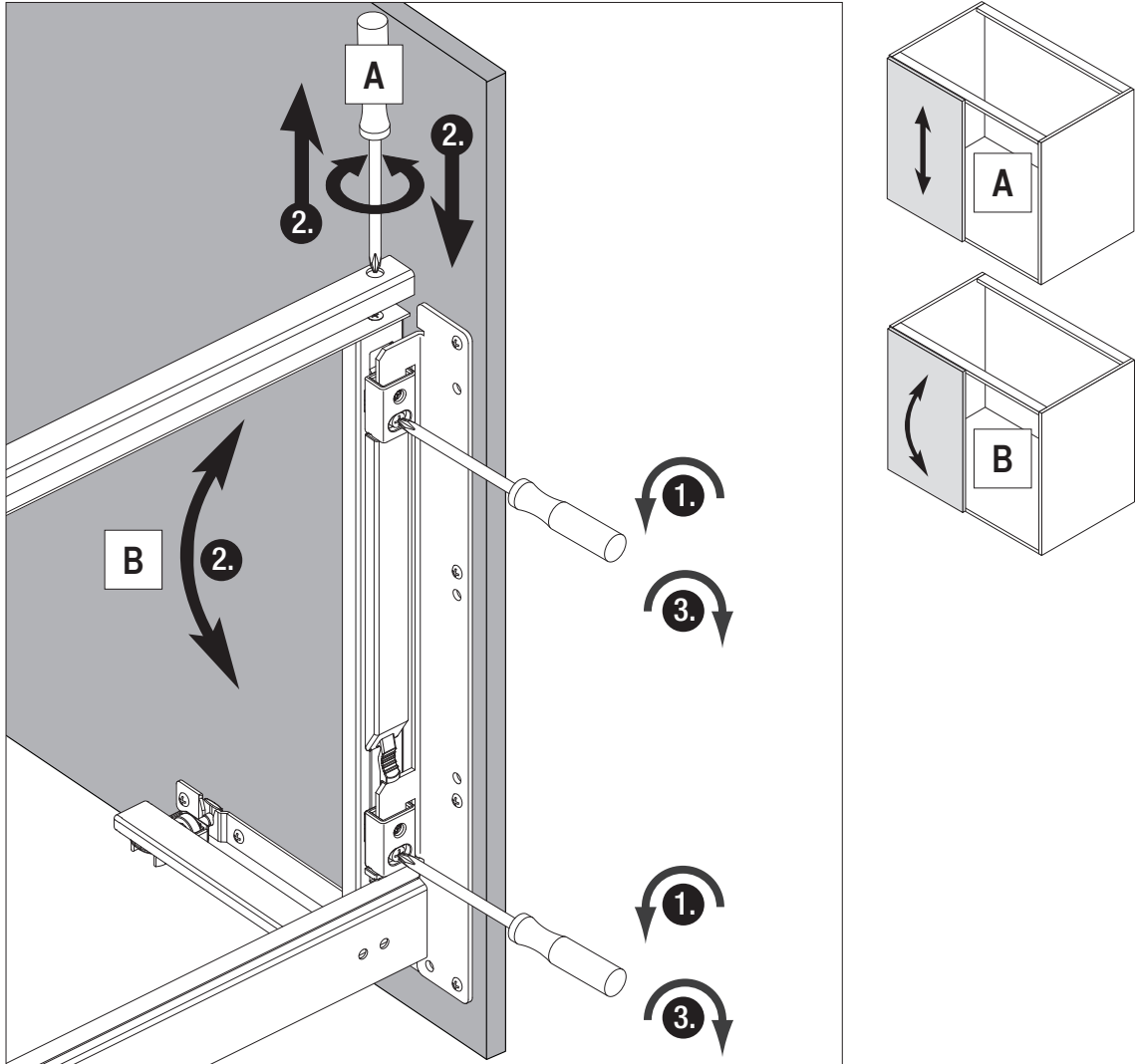
C



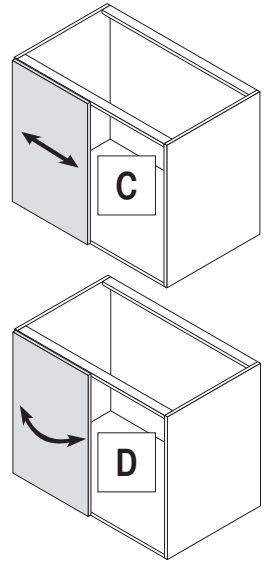
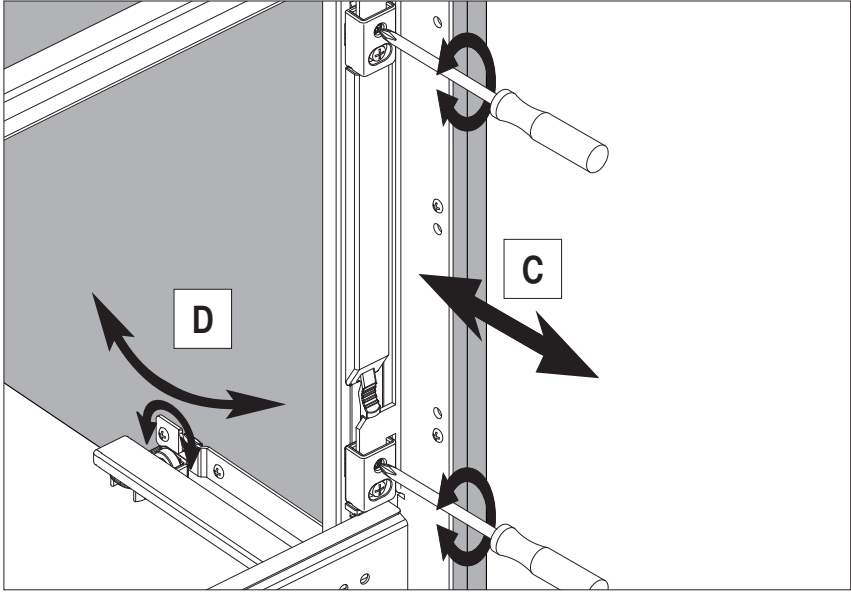
7



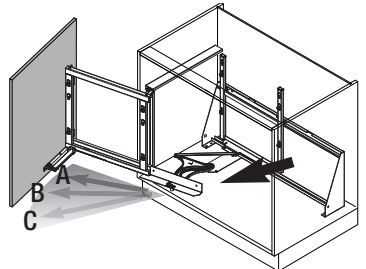
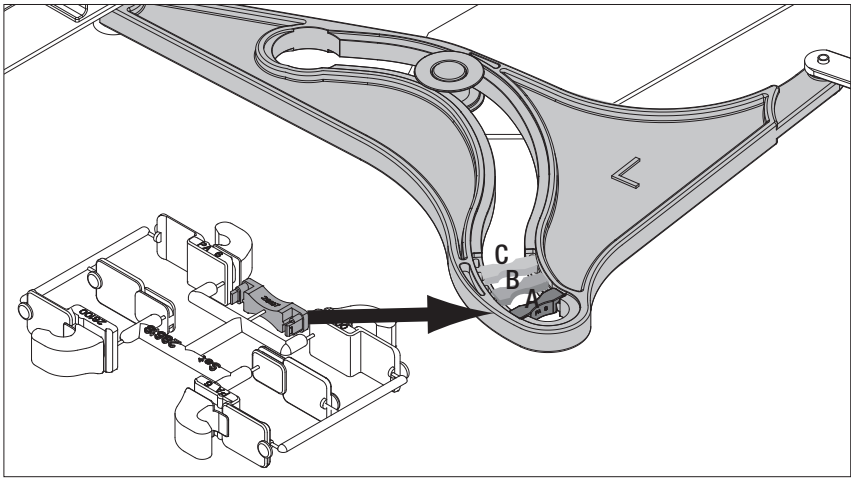
8



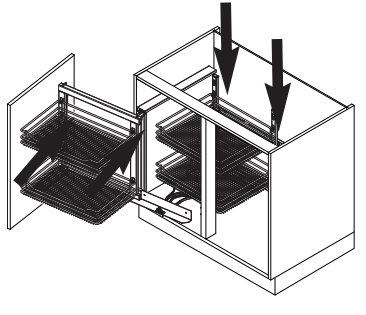
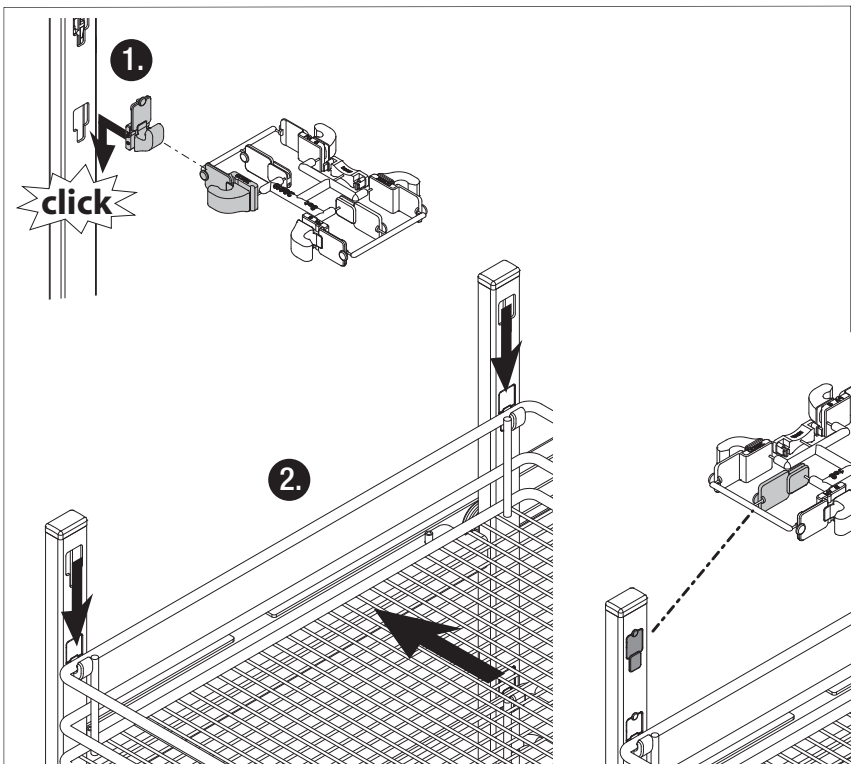
8



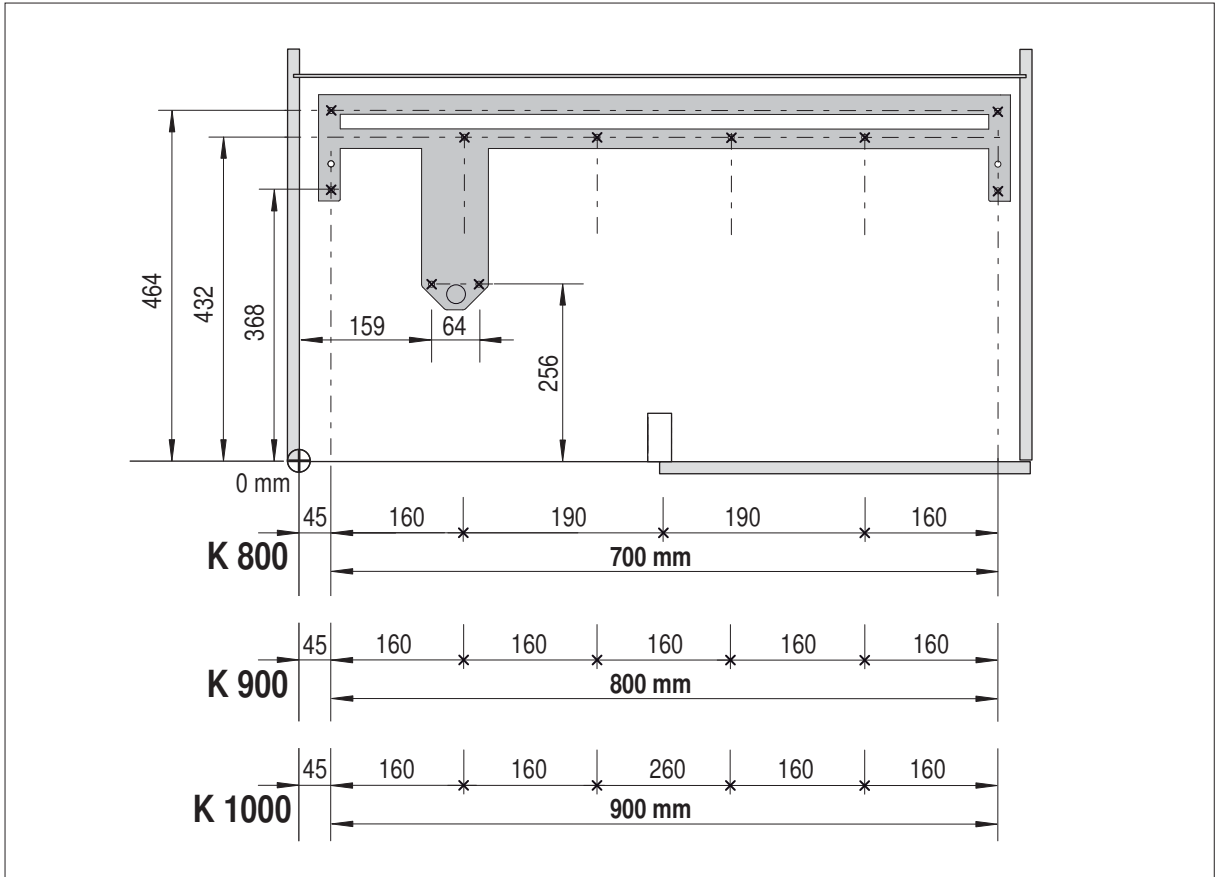
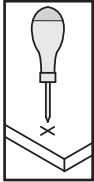
9



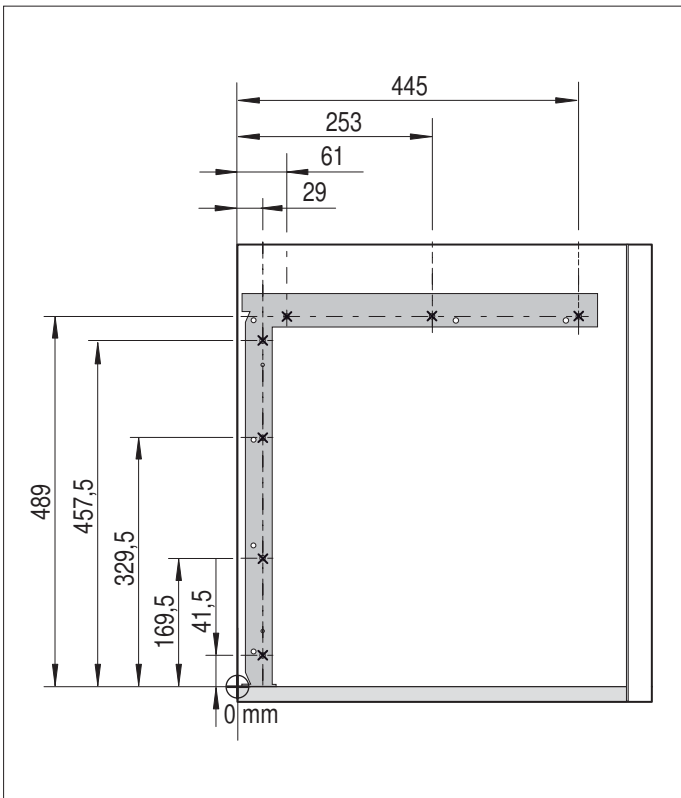
10



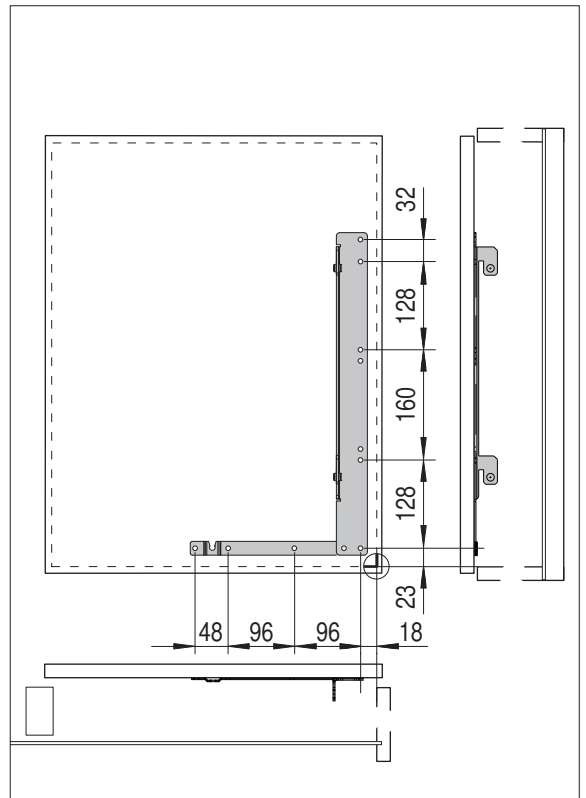
**A**



**B**



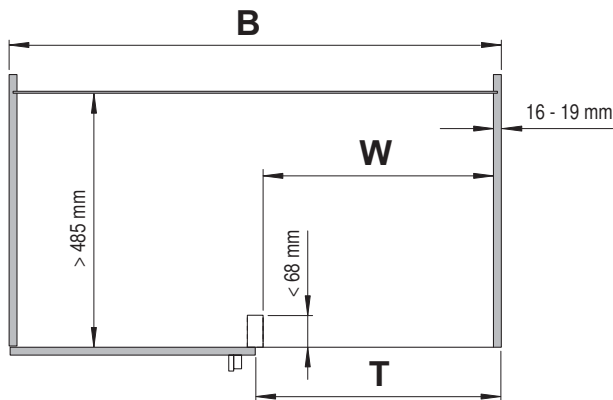
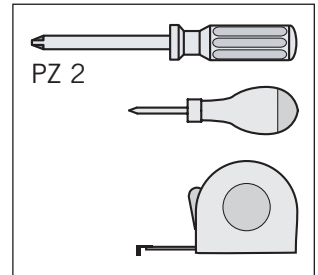
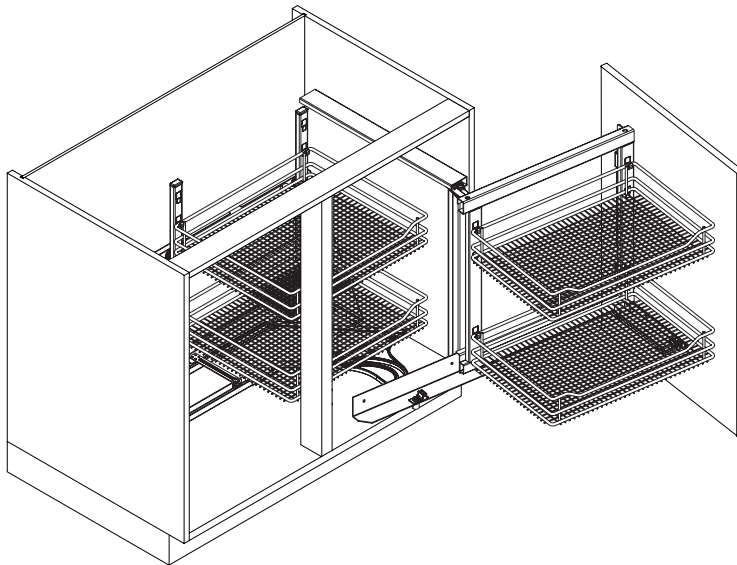
**C**



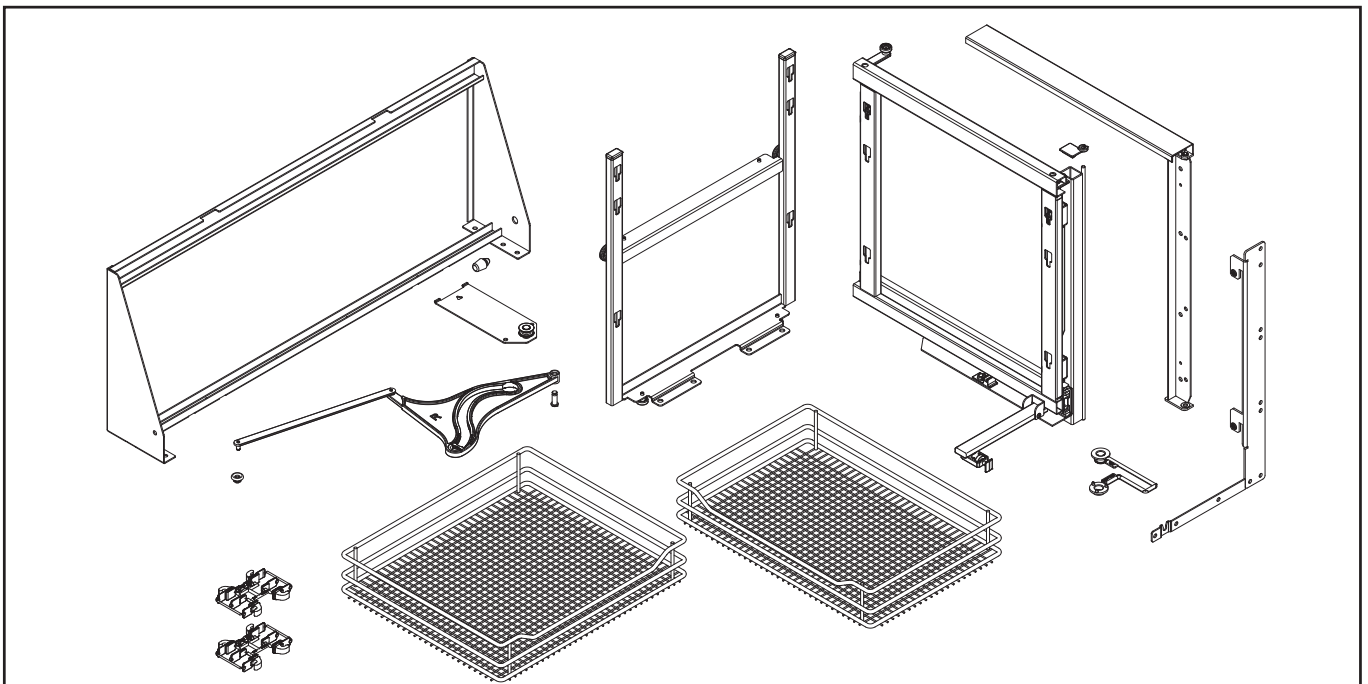
04 / 2017



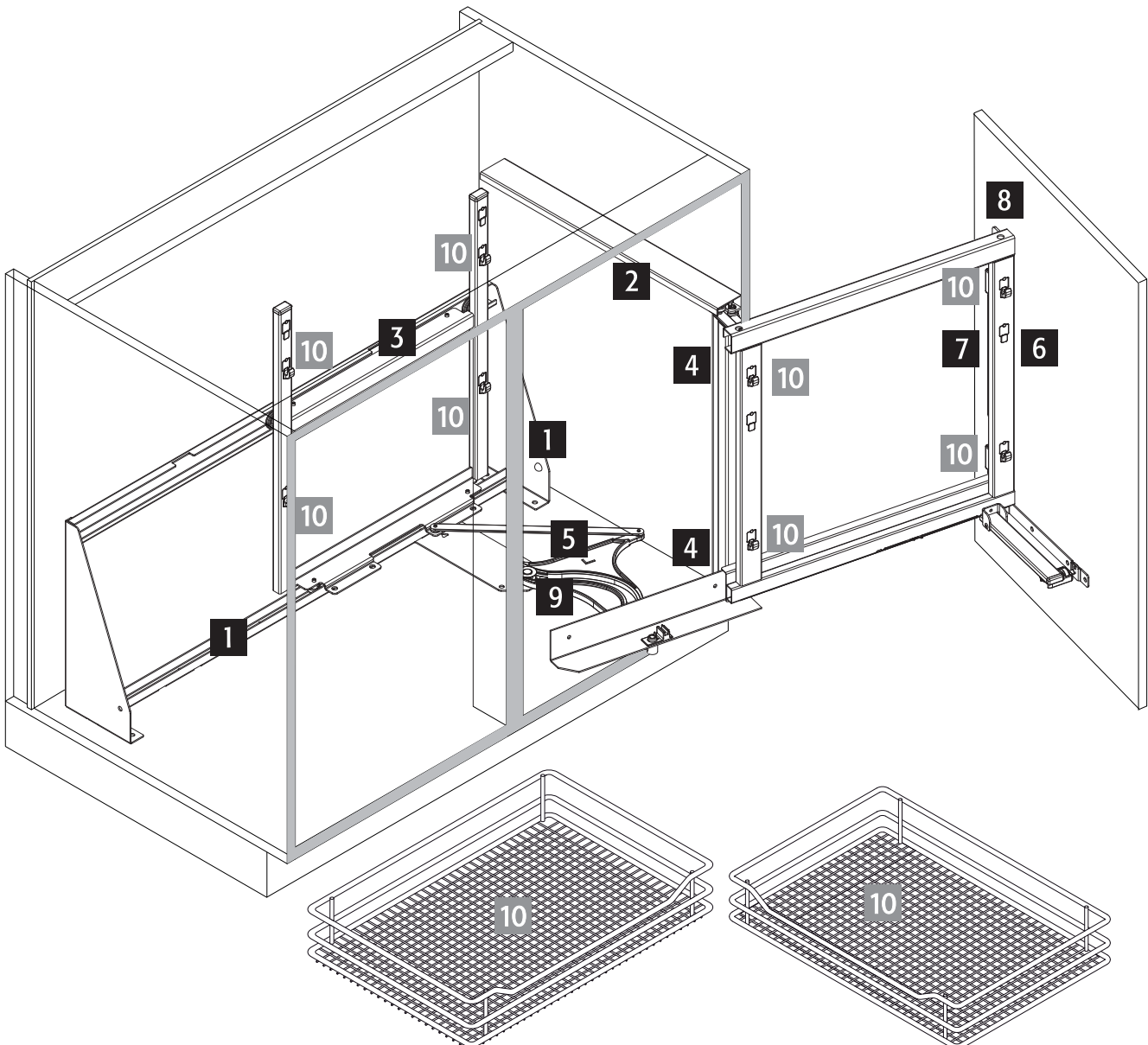
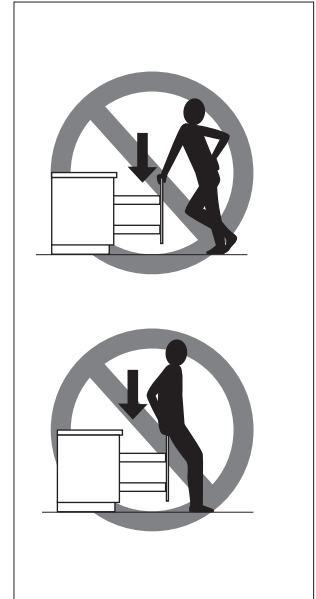
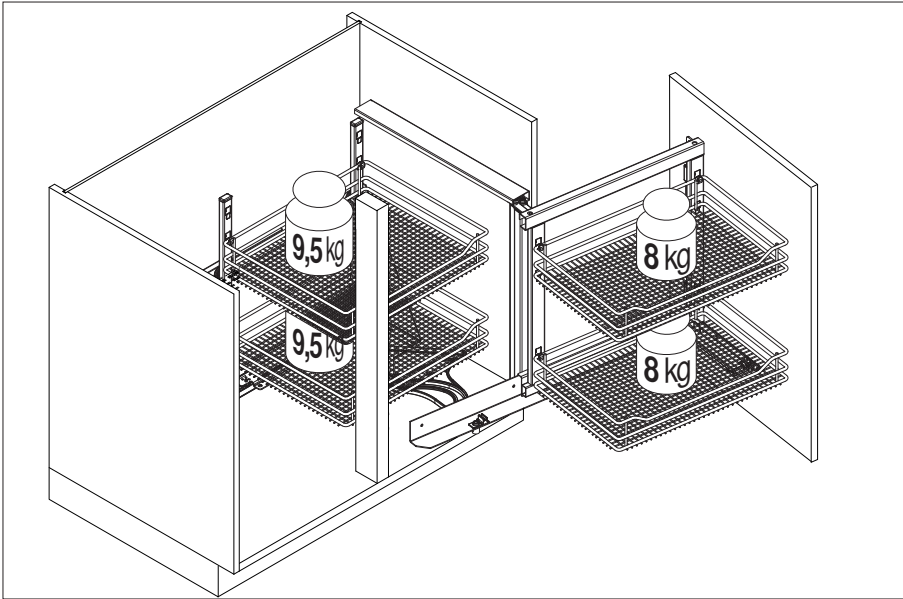
# VS COR Fold R



	K800	K900	K1000
<b>B</b>	min. 800	min. 900	min. 1000
<b>T</b>	min. 400	min. 450	min. 500
<b>W</b>	≥ 361	≥ 411	≥ 461



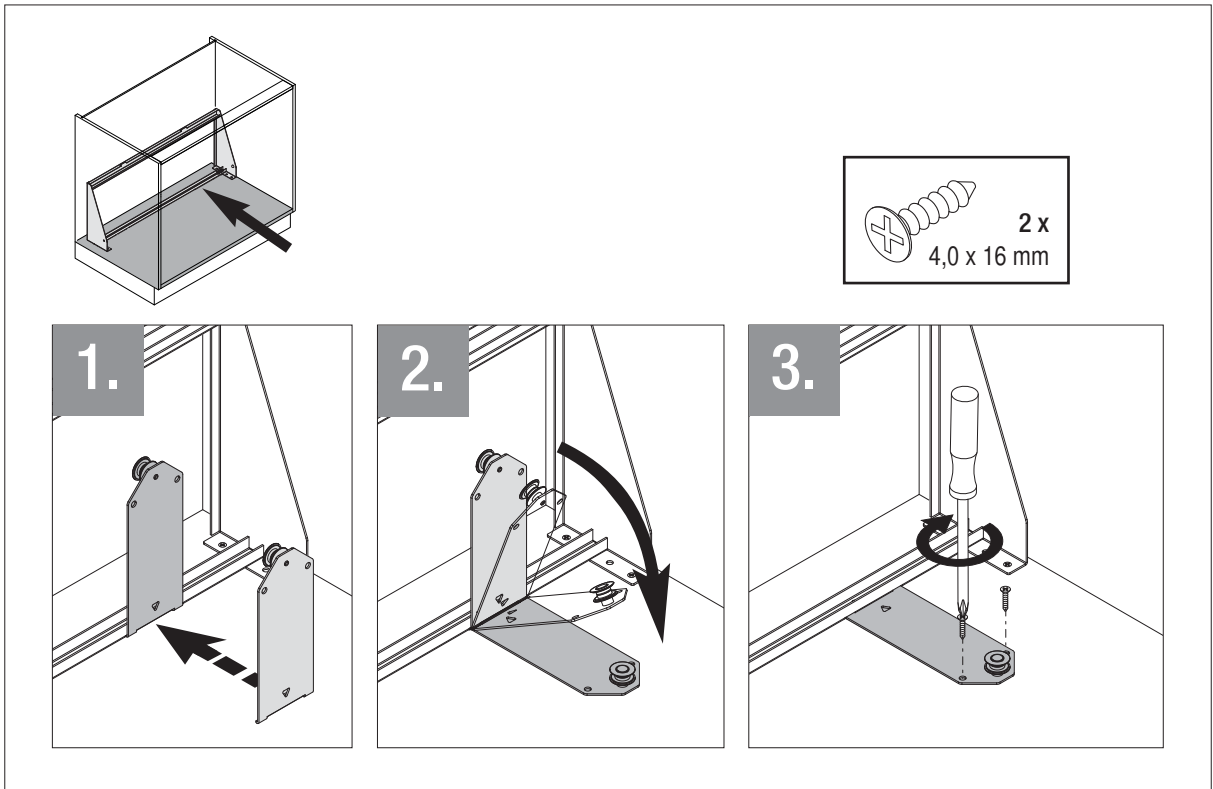
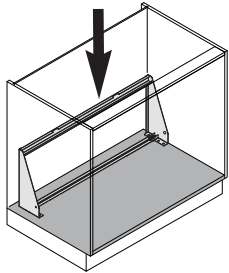
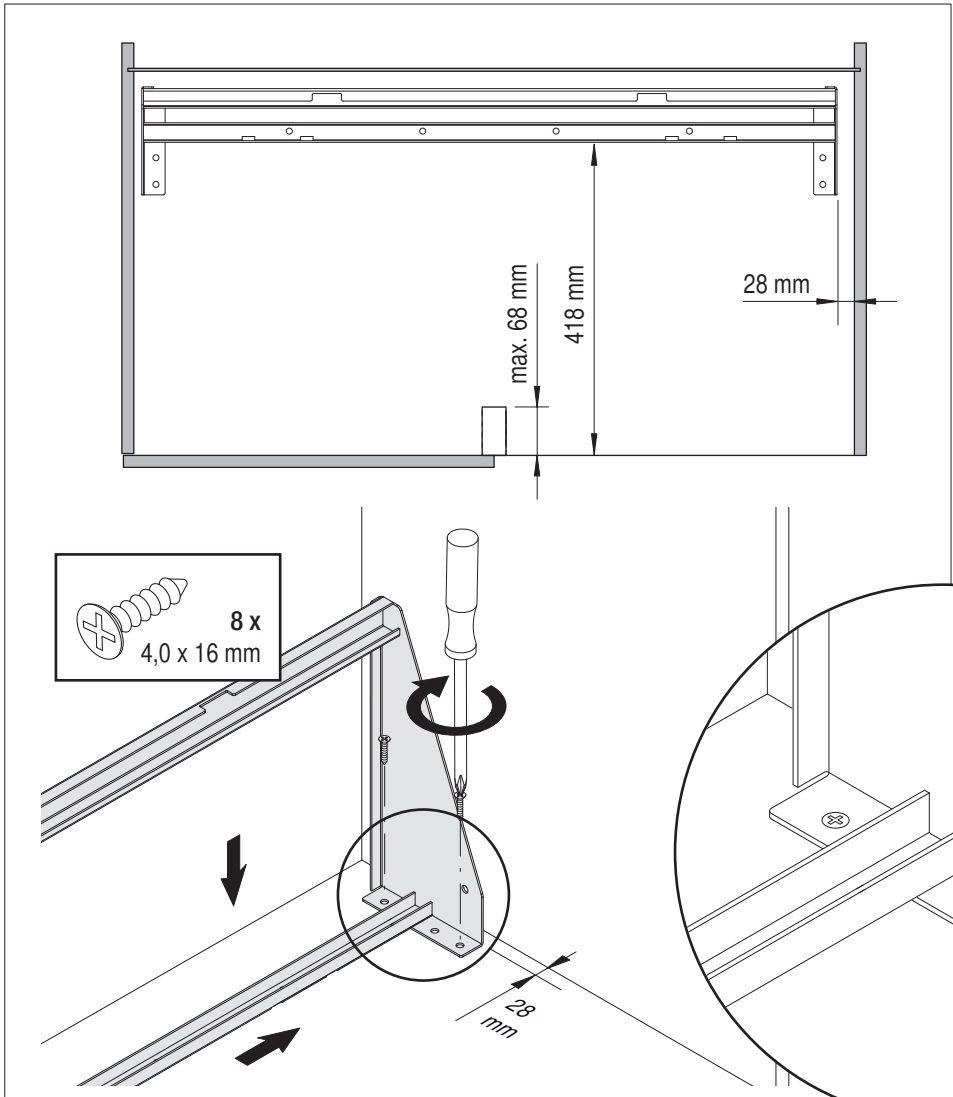




1



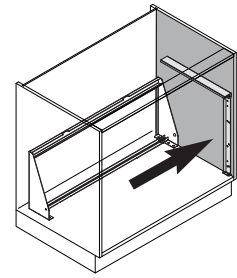
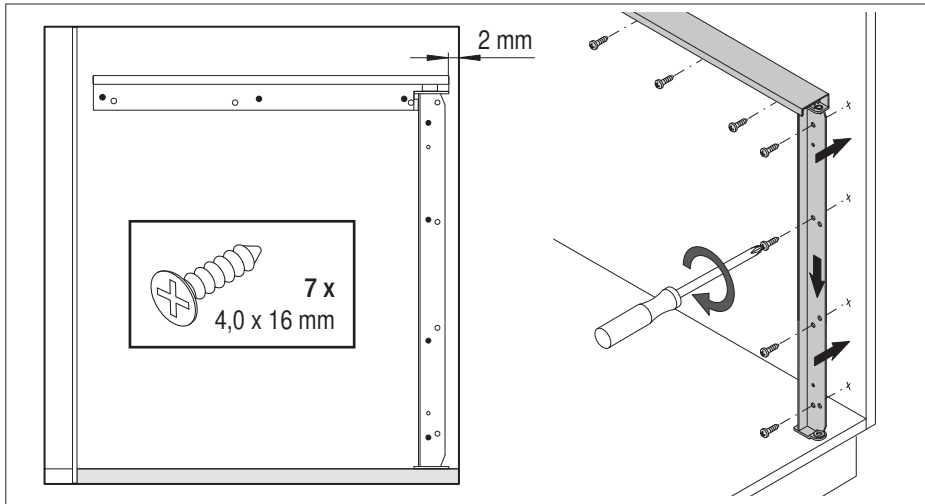
A



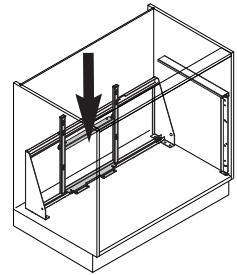
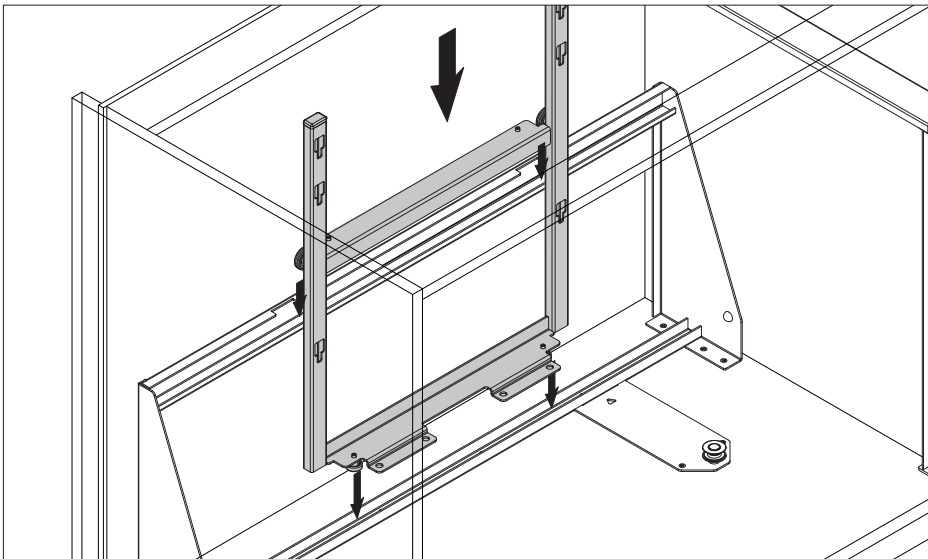
2



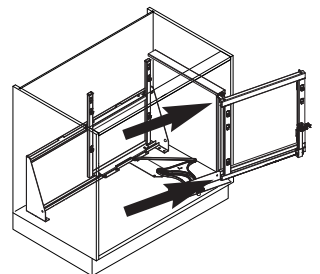
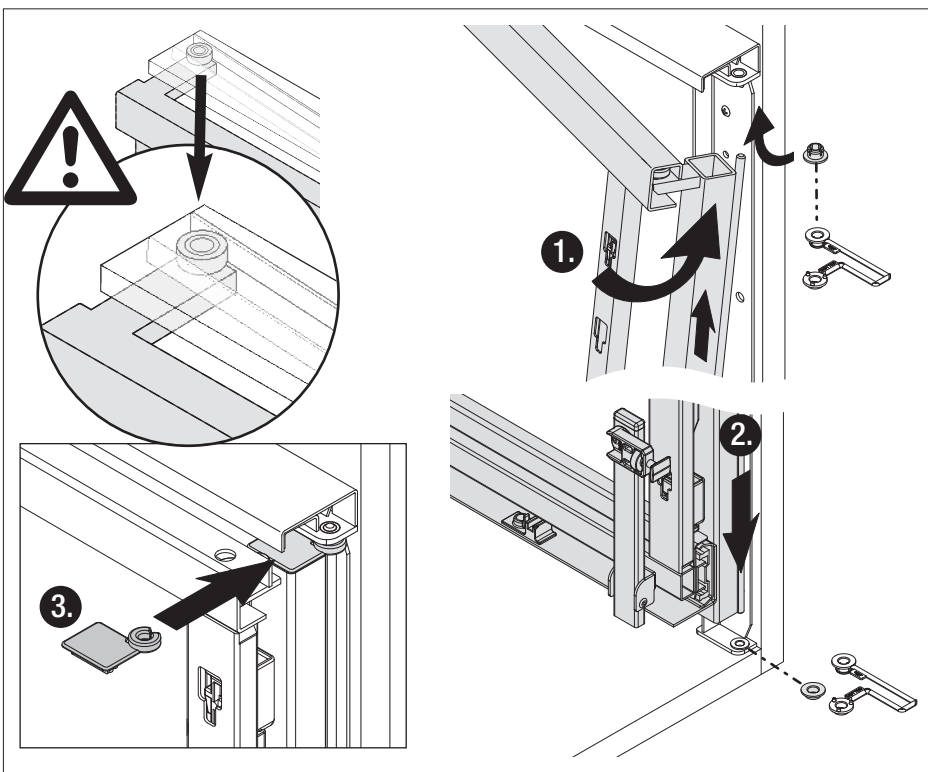
B



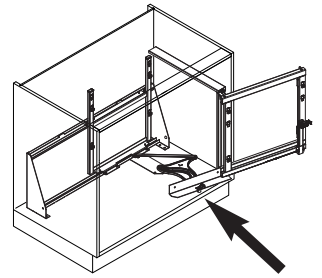
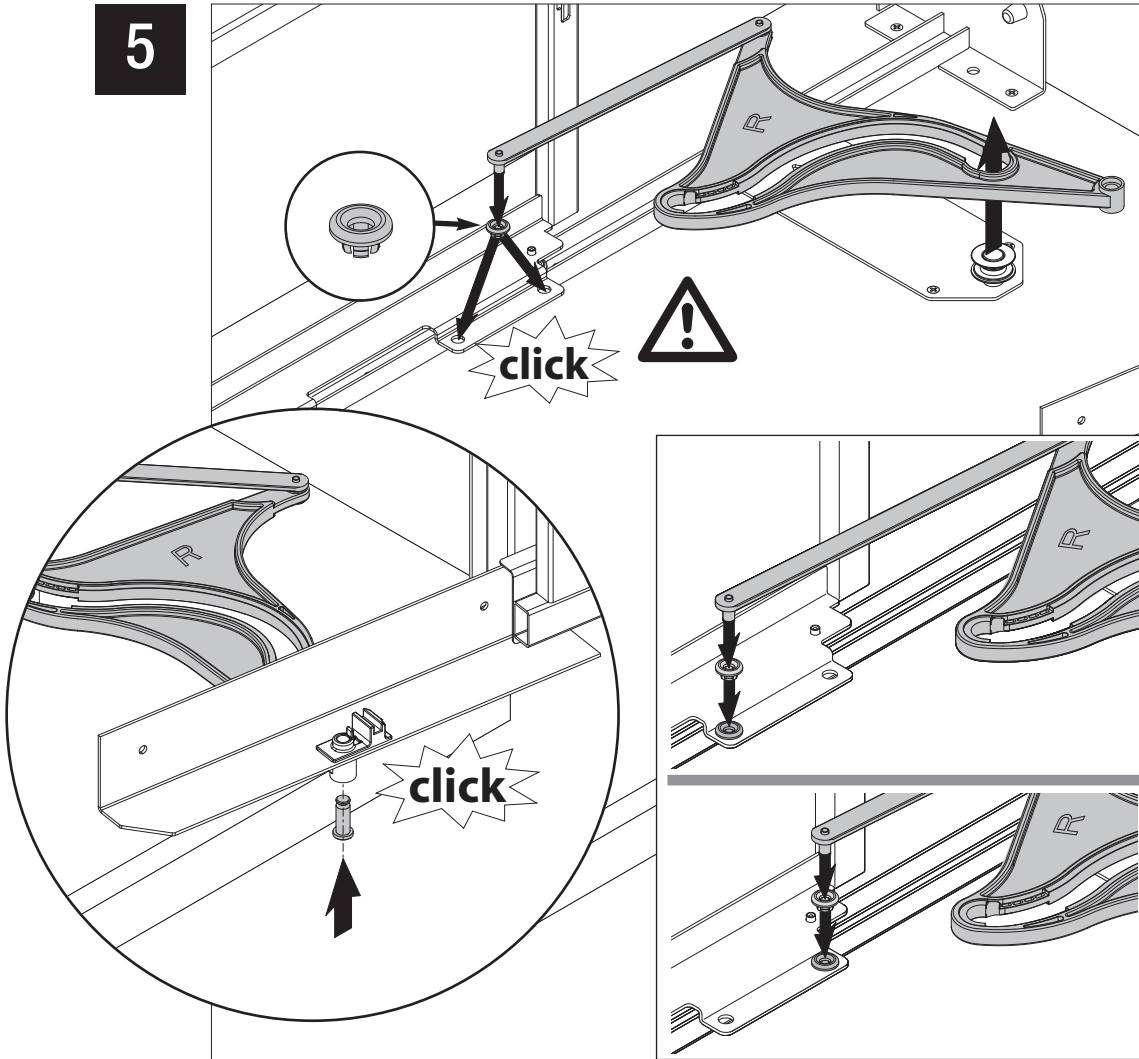
3



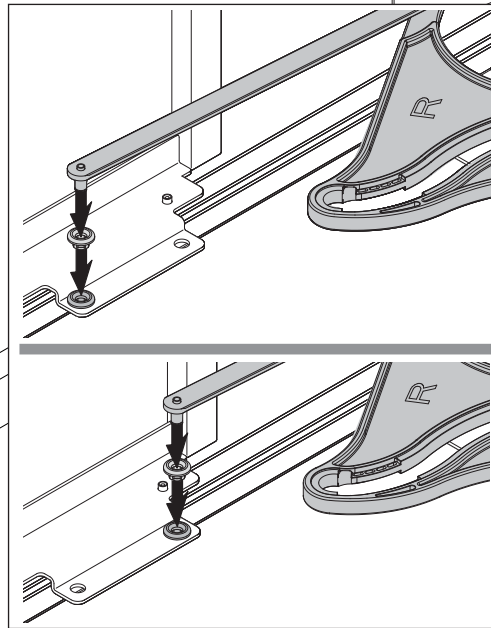
4



5



K 800  
K 900

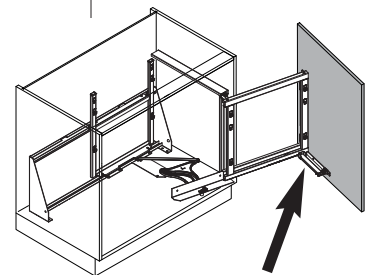
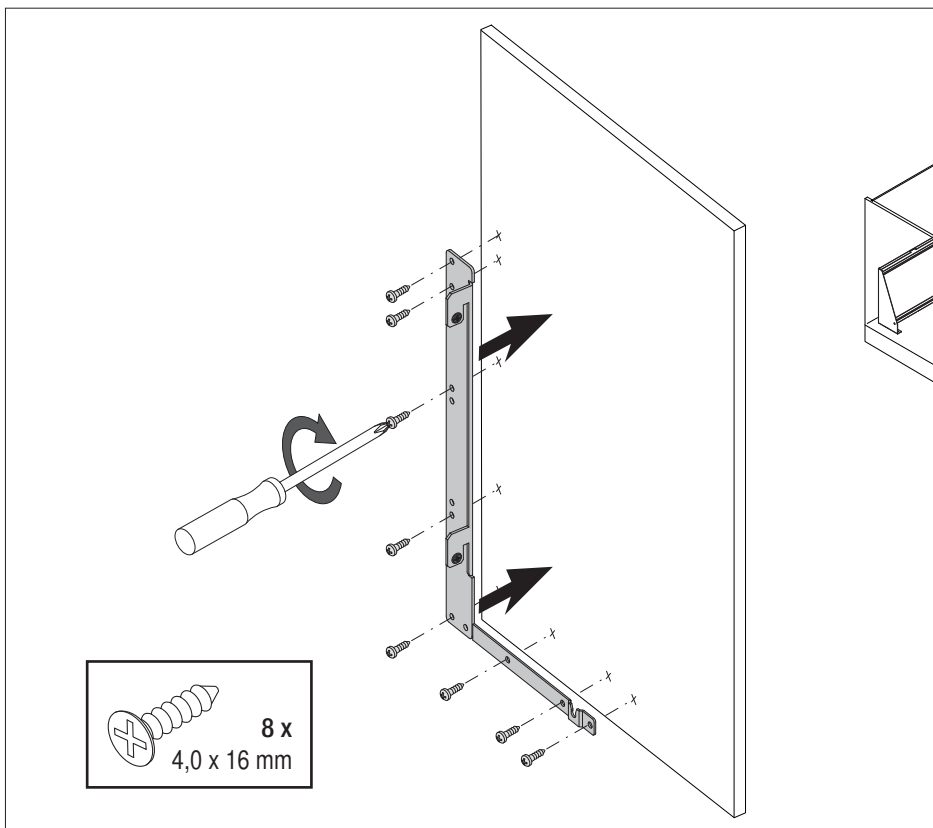
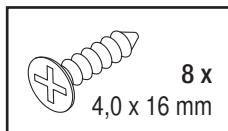


K 1000

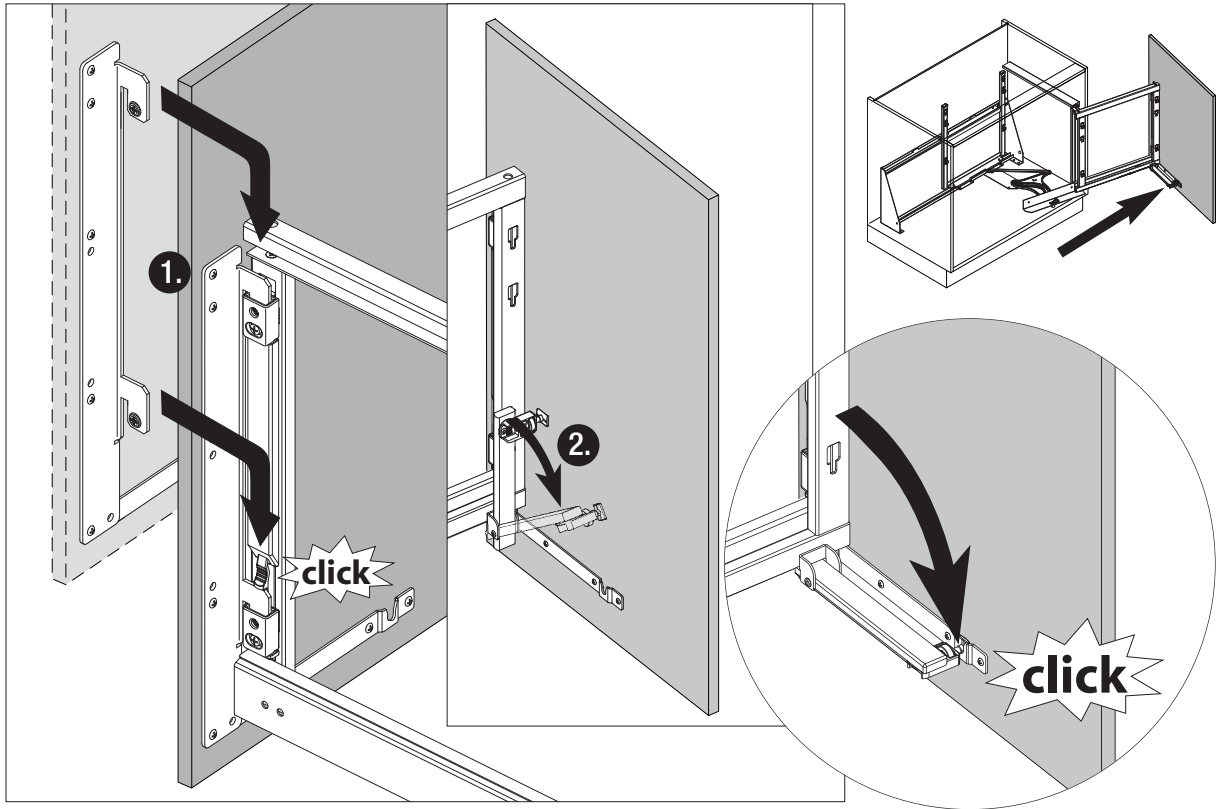
6



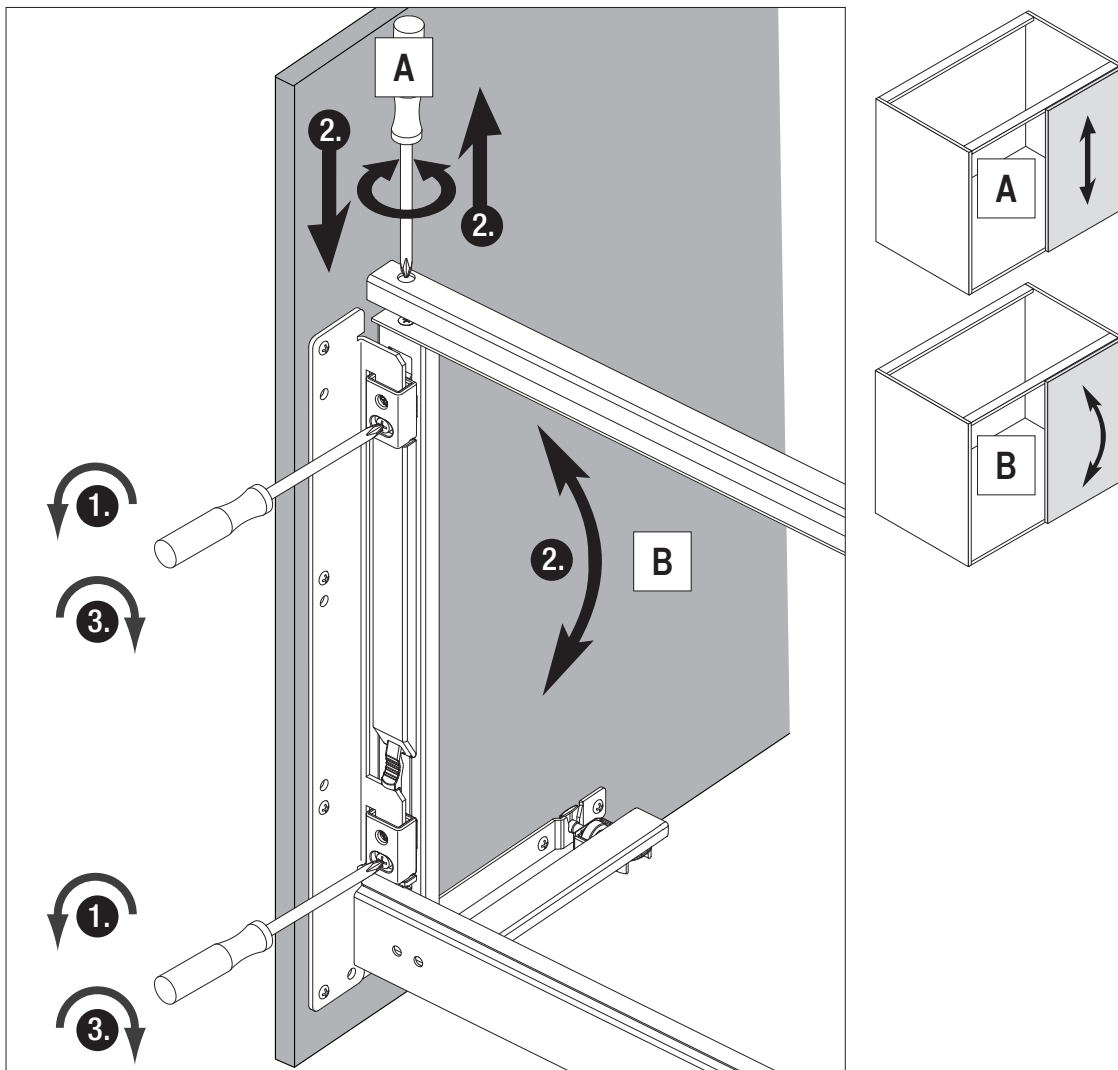
C



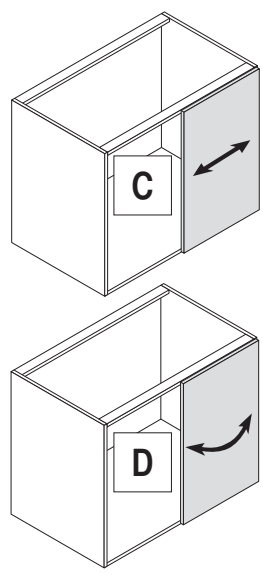
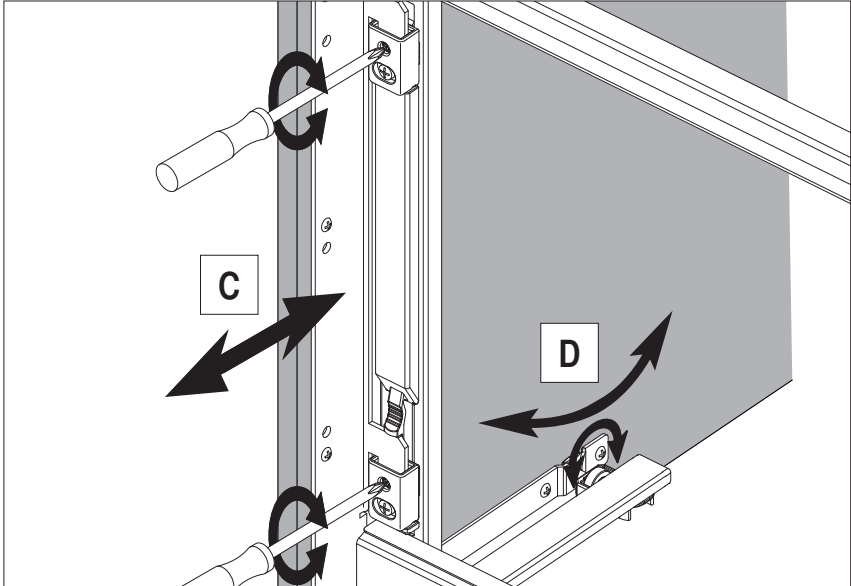
7



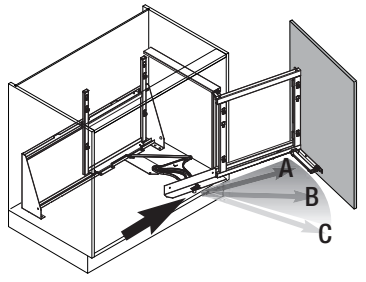
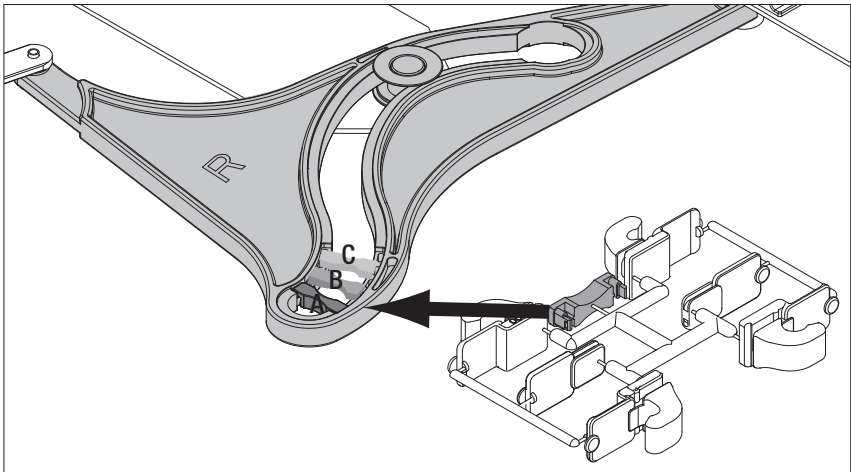
8



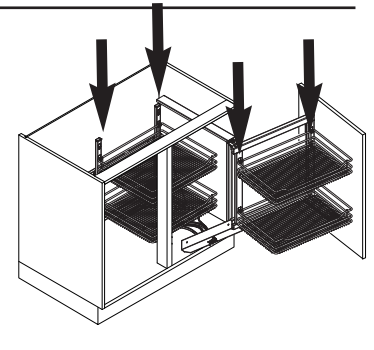
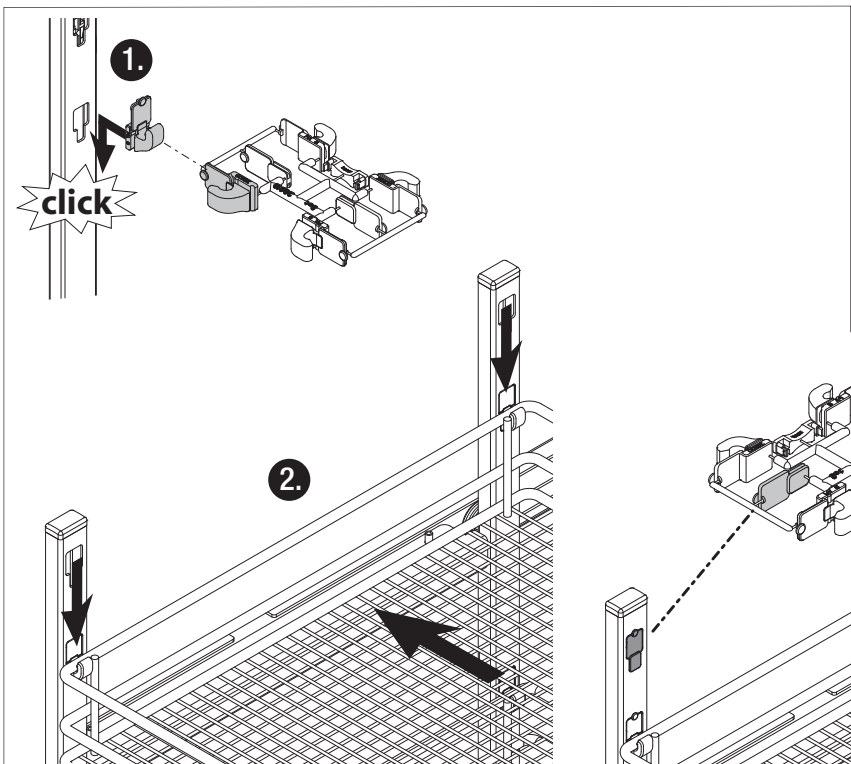
8



9

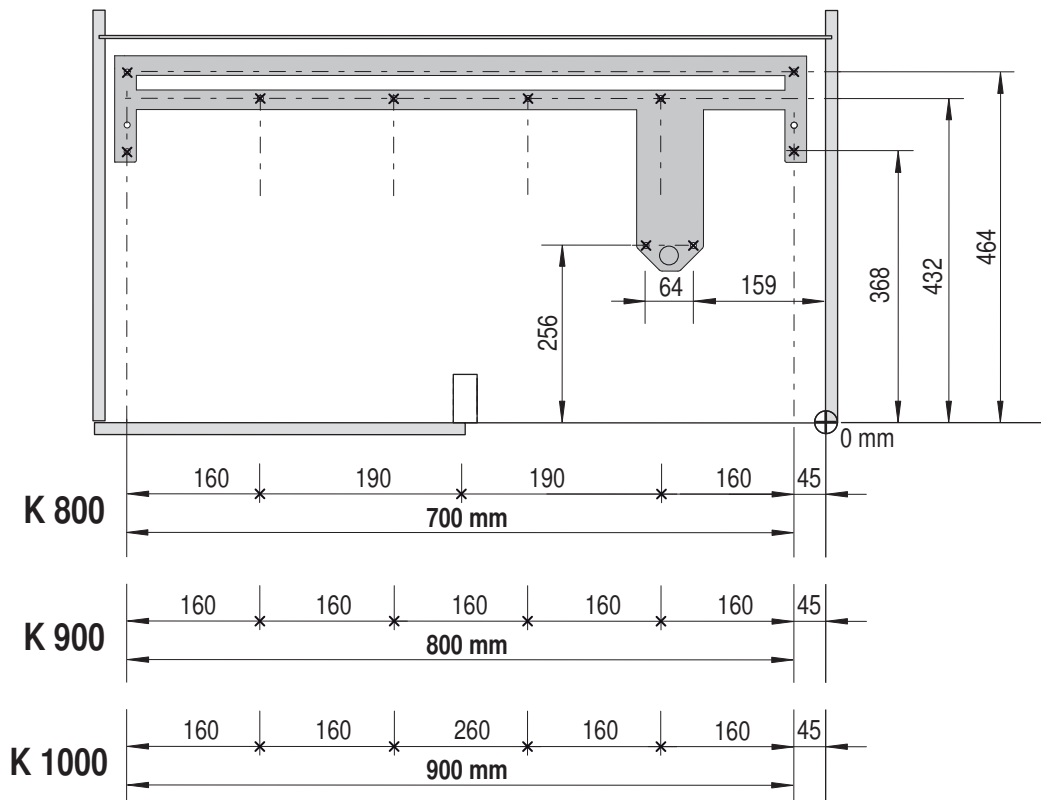
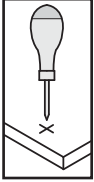


10

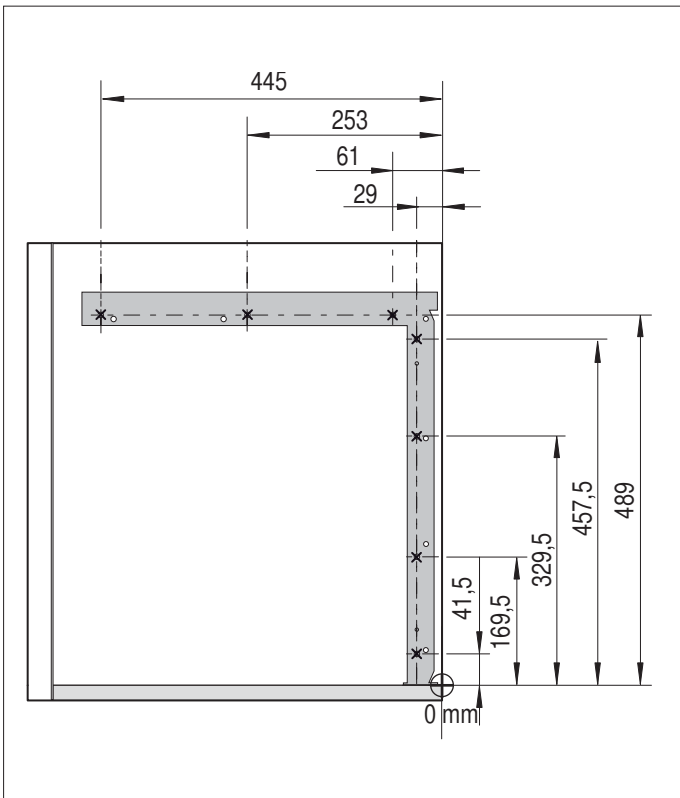




**A**



**B**



**C**

